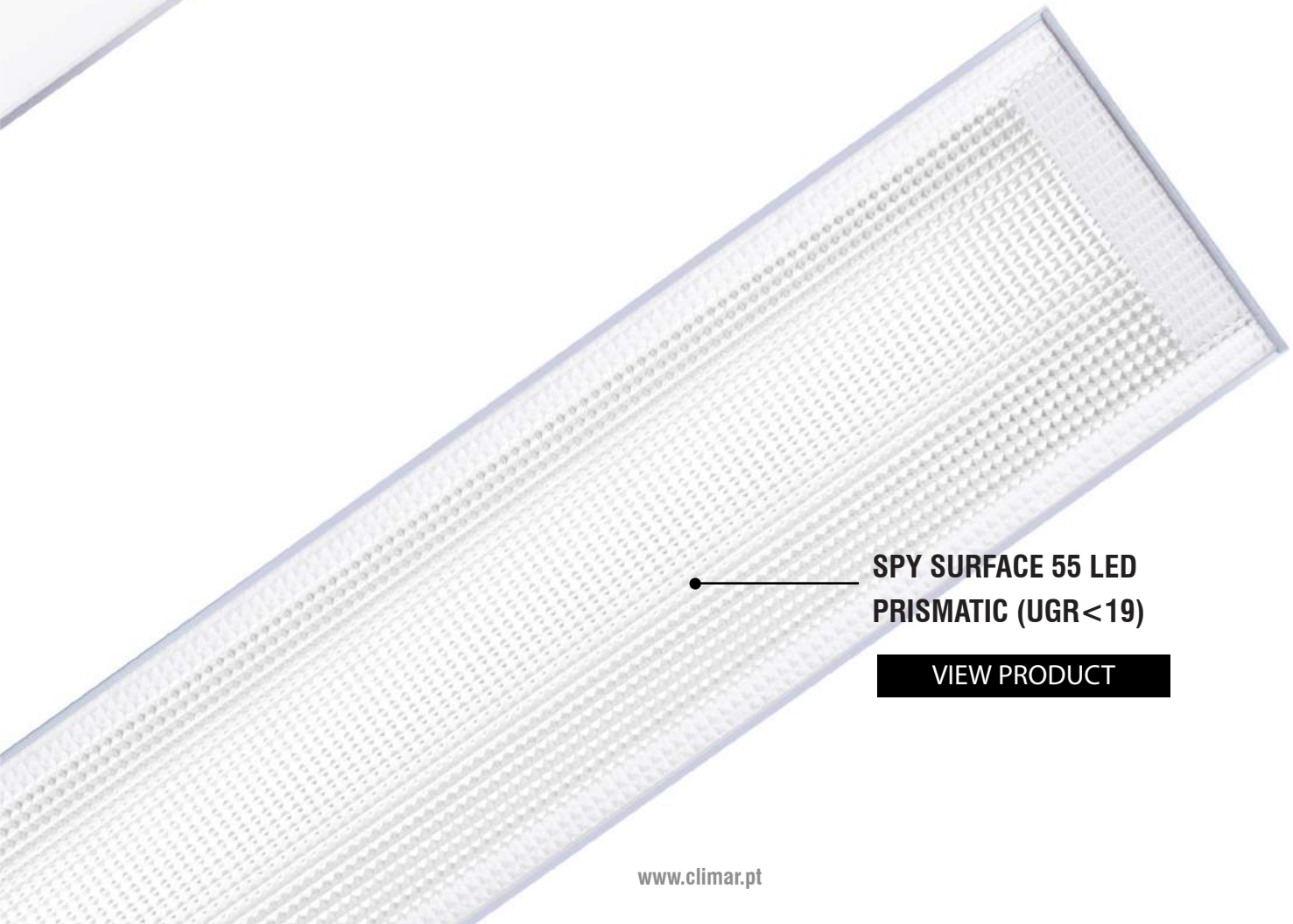


● — **SPY SURFACE 55 LED
FROST**

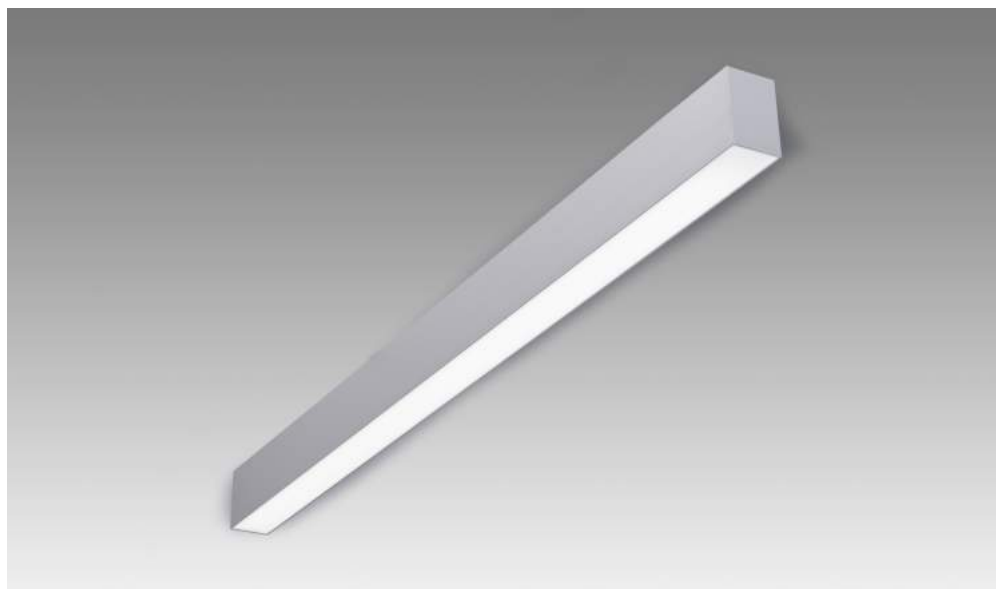
VIEW PRODUCT

———— **Select one option** ————



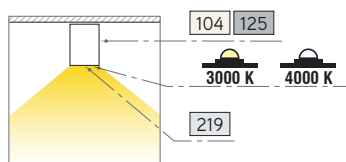
● — **SPY SURFACE 55 LED
PRISMATIC (UGR<19)**

VIEW PRODUCT

**descrição** description ·

- Luminária em perfil de alumínio, para aplicação saliente, com tecnologia LED;
- A instalação individual ou em linha contínua, depende dos acessórios seleccionados;
- Acabamentos disponíveis: branco mate RAL 9003 e anodizado mate;
- Difusor policarbonato Frost 030 com elevado coeficiente de difusão de luz;
- Temperatura de cor LED: Warm White (3000 K) ou Neutral White (4000 K);
- Os componentes e acessórios necessários devem ser encomendados à parte.

- Aluminium profile LED surface mounted luminaire;
- Individual or continuous row application depends on the accessories selected;
- Finishing colours: Matt white (RAL 9003) and matt anodised;
- 030 frost polycarbonate diffuser with high light diffusion coefficient;
- LED colour temperature: Warm White (3000 K) or Neutral White (4000 K);
- Required components and accessories must be ordered separately.

**pormenores** details ·

- LED de elevada eficiência energética com índice de restituição cromática >80 . High efficacy LED with >80 colour rendering index
- Disponível em versões LED dimáveis com fonte de alimentação DALI . Dimmable LED versions with DALI power supply
- Adequado para aplicação individual ou em linha contínua . Suitable for individual mounting or in continuous lines
- Difusor de clipagem em Policarbonato frost 030 . Quick snap push mount Polycarbonate frost 030 diffuser

acabamento finishing ·

104 Branco mate RAL 9003 . Matt white RAL 9003

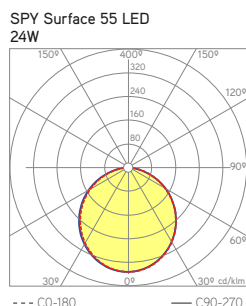
125 Alumínio anodizado natural mate . Natural matt anodised aluminium

difusor diffuser ·

219 Policarbonato frost 030 . Polycarbonate frost 030



símbolos symbols .  |  |  230V/50Hz |  850°C |     

diagr. polar diagr. polar .



características do LED

LED features .

-  **3000 K** - Branco Quente . *Warm White* - **147 lm/W tp=65°C** - Eficiência do LED . *LED efficiency*
-  **4000 K** - Branco Neutro . *Neutral White* - **154 lm/W tp=65°C** - Eficiência do LED . *LED efficiency*
- **CRI > 80** - LED de elevada eficiência energética com índice de restituição cromática . *High efficacy LED colour rendering index*
- **MacAdams 3** - Estreita tolerância na variação de cor do LED . *Close tolerance on the LED colour variation*
- **60 000 horas** - Tempo vida útil . *Long lifetime*
- **L70** - Manutenção do fluxo luminoso do LED . *LED luminous flux maintenance*
- **F10** - Degradação ou mortalidade do LED . *LED degradation or mortality*
- **120°** - Ângulo de distribuição de luz do LED . *LED light distribution angle*

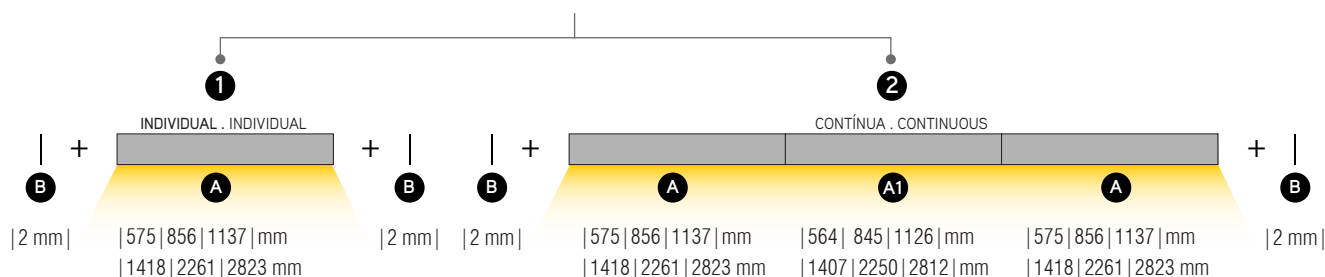
opções options .

- ON/OFF** - Fonte de alimentação incluída . *Integrated power supply control gear*
- DALI** - Fonte de alimentação compatível com DALI incluída . *Integrated DALI dimmable control gear*

Ex: Encomenda order .

- 1 - Luminária individual: Use os códigos de encomenda de perfil e componentes indicados . *Single luminaire: Use the specified profile and components order codes.*
- 2 - Linhas contínuas: Calcule o comprimento da linha de acordo com as dimensões indicadas. Selecione os componentes necessários (A, B, C, ...) . *Continuous lines: Refer to the indicated sizes to determine line length. Select the required components (A, B, C, ...)*
- A1 - Os Códigos das luminárias contínuas devem ser sempre solicitados ao fabricante . *Continuous row luminaire codes must always be requested to the manufacturer.*

SPY SURFACE 55 LED

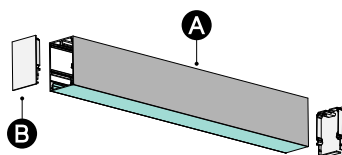


1 LUMINÁRIA INDIVIDUAL:
SINGLE LUMINAIRE

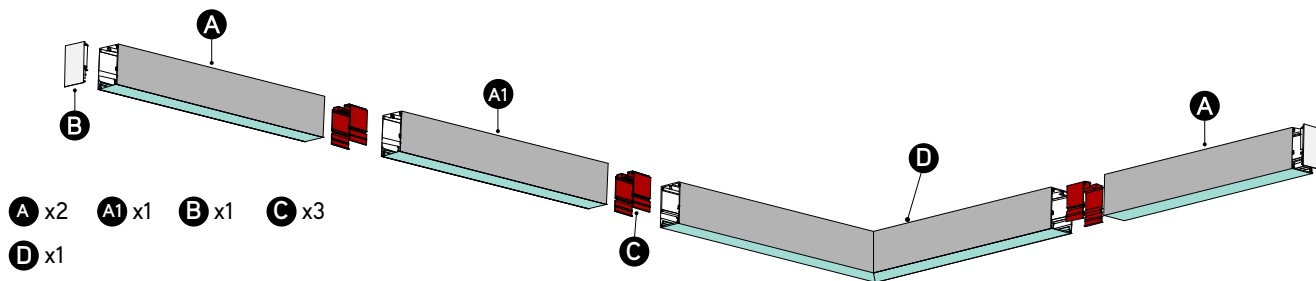
A x1 B x1

NOTA . NOTE

B = 2 units



2 LINHA CONTÍNUA . CONTINUOUS ROW



- A** x2 **A1** x1 **B** x1 **C** x3
- D** x1

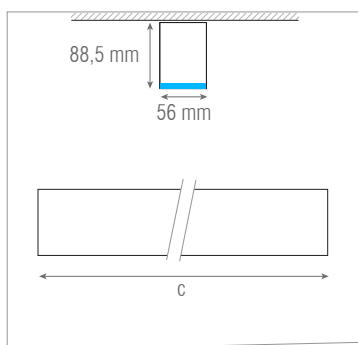
- A1** Meio de linha . Middle line
- D** Canto . ANGLE

NOTA . NOTE

- B** = 2 units

1 Individual . Individual

Warm White (3000 K)



A Perfil / profile - 104 Branco mate RAL 9003 . *Matt white RAL 9003*

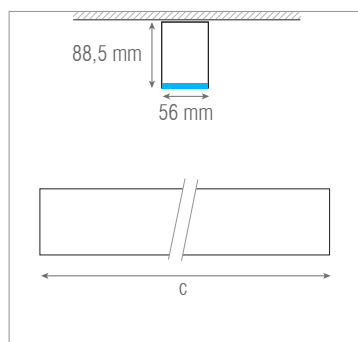
W		$\leftarrow \text{(mm)} \rightarrow$ C	 kg	 (dm³)	KIT 1h	KIT 3h	ON/OFF	DALI
12W	LED	575	1,60	3,33	-	-	33.42.017.08.82	33.42.018.08.06
24W	LED	575	1,60	3,33	-	-	33.42.017.08.88	33.42.018.08.12
18W	LED	856	2,39	5,73	-	-	33.42.017.08.83	33.42.018.08.07
35W	LED	856	2,39	5,73	-	-	33.42.017.08.89	33.42.018.08.13
24W	LED	1137	3,10	7,61	•	-	33.42.017.08.84	33.42.018.08.08
47W	LED	1137	3,10	7,61	•	-	33.42.017.08.90	33.42.018.08.14
30W	LED	1418	3,51	9,49	•	•	33.42.017.08.85	33.42.018.08.09
59W	LED	1418	3,51	9,49	•	•	33.42.017.08.91	33.42.018.08.15
48W	LED	2261	6,15	14,8	•	•	33.42.017.08.86	33.42.018.08.10
94W	LED	2261	6,15	14,8	•	•	33.42.017.08.92	33.42.018.08.16
60W	LED	2823	7,20	18,5	•	•	33.42.017.08.87	33.42.018.08.11
118W	LED	2823	7,20	18,5	•	•	33.42.017.08.93	33.42.018.08.17



A Perfil / profile - 125 Alumínio anodizado natural mate . *Natural matt anodised aluminium*

W		$\leftarrow \text{(mm)} \rightarrow$ C	 kg	 (dm³)	KIT 1h	KIT 3h	ON/OFF	DALI
12W	LED	575	1,60	3,33	-	-	33.42.017.08.70	33.42.017.08.94
24W	LED	575	1,60	3,33	-	-	33.42.017.08.76	33.42.018.08.00
18W	LED	856	2,39	5,73	-	-	33.42.017.08.71	33.42.017.08.95
35W	LED	856	2,39	5,73	-	-	33.42.017.08.77	33.42.018.08.01
24W	LED	1137	3,10	7,61	•	-	33.42.017.08.72	33.42.017.08.96
47W	LED	1137	3,10	7,61	•	-	33.42.017.08.78	33.42.018.08.02
30W	LED	1418	3,51	9,49	•	•	33.42.017.08.73	33.42.017.08.97
59W	LED	1418	3,51	9,49	•	•	33.42.017.08.79	33.42.018.08.03
48W	LED	2261	6,15	14,8	•	•	33.42.017.08.74	33.42.017.08.98
94W	LED	2261	6,15	14,8	•	•	33.42.017.08.80	33.42.018.08.04
60W	LED	2823	7,20	18,5	•	•	33.42.017.08.75	33.42.017.08.99
118W	LED	2823	7,20	18,5	•	•	33.42.017.08.81	33.42.018.08.05

Neutral White (4000 K)



A Perfil / profile - 104 Branco mate RAL 9003 . Matt white RAL 9003

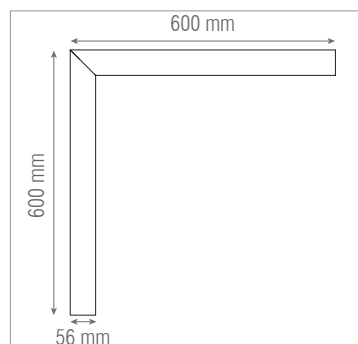
W		(mm) C	kg	(dm ³)	KIT 1h	KIT 3h	ON/OFF	DALI
12W					-	-	33.42.018.08.30	33.42.018.08.54
24W	LED	575	1,60	3,33	-	-	33.42.018.08.36	33.42.018.08.60
18W					-	-	33.42.018.08.31	33.42.018.08.55
35W					-	-	33.42.018.08.37	33.42.018.08.61
24W					•	-	33.42.018.08.32	33.42.018.08.56
47W	LED	1137	3,10	7,61	•	-	33.42.018.08.38	33.42.018.08.62
30W					•	•	33.42.018.08.33	33.42.018.08.57
59W					•	•	33.42.018.08.39	33.42.018.08.63
48W					•	•	33.42.018.08.34	33.42.018.08.58
94W	LED	2261	6,15	14,8	•	•	33.42.018.08.40	33.42.018.08.64
60W					•	•	33.42.018.08.35	33.42.018.08.59
118W	LED	2823	7,20	18,5	•	•	33.42.018.08.41	33.42.018.08.65



A Perfil / profile - 125 Alumínio anodizado natural mate . Natural matt anodised aluminium

W		(mm) C	kg	(dm ³)	KIT 1h	KIT 3h	ON/OFF	DALI
12W					-	-	33.42.018.08.18	33.42.018.08.42
24W	LED	575	1,60	3,33	-	-	33.42.018.08.24	33.42.018.08.48
18W					-	-	33.42.018.08.19	33.42.018.08.43
35W					-	-	33.42.018.08.25	33.42.018.08.49
24W					•	-	33.42.018.08.20	33.42.018.08.44
47W	LED	1137	3,10	7,61	•	-	33.42.018.08.26	33.42.018.08.50
30W					•	•	33.42.018.08.21	33.42.018.08.45
59W					•	•	33.42.018.08.27	33.42.018.08.51
48W					•	•	33.42.018.08.22	33.42.018.08.46
94W	LED	2261	6,15	14,8	•	•	33.42.018.08.28	33.42.018.08.52
60W					•	•	33.42.018.08.23	33.42.018.08.47
118W	LED	2823	7,20	18,5	•	•	33.42.018.08.29	33.42.018.08.53

Warm White (3000 K)



D Canto / corner - 104 Branco mate RAL 9003 . Matt white RAL 9003

W		kg	(dm ³)	ON/OFF	DALI
24W					
24W	LED	4,30	43,0	33.42.018.08.68	33.42.018.08.72
47W				33.42.018.08.69	33.42.018.08.73



D Canto / corner - 125 Alumínio anodizado natural mate . Natural matt anodised aluminium

W		kg	(dm ³)	ON/OFF	DALI
24W					
24W	LED	4,30	43,0	33.42.018.08.66	33.42.018.08.70
47W				33.42.018.08.67	33.42.018.08.71

Neutral White (4000 K)

D Canto / corner - 104 Branco mate RAL 9003 . Matt white RAL 9003

W		kg	(dm ³)	ON/OFF	DALI
24W					
24W	LED	4,30	43,0	33.42.018.08.76	33.42.018.08.80
47W				33.42.018.08.77	33.42.018.08.81



D Canto / corner - 125 Alumínio anodizado natural mate . Natural matt anodised aluminium

W		kg	(dm ³)	ON/OFF	DALI
24W					
24W	LED	4,30	43,0	33.42.018.08.74	33.42.018.08.78
47W				33.42.018.08.75	33.42.018.08.79

**B** Topo / end cap set

Cod.

Conjunto 2 Topos Branco . 2 End cap set White	35.42.002.08.67
Conjunto 2 Topos Cinza . 2 End cap set Grey	35.42.002.08.66

**C** Guia (união) / guide (coupler)

Cod.

Guia/Guia SPY 55 Recessed/Trimless/Surface/Susp. (Double)	35.42.002.08.60
---	-----------------

acessório ACCESSORY · Disponível como acessórios. Encomendar à parte . Available as accessories. To be ordered separately.

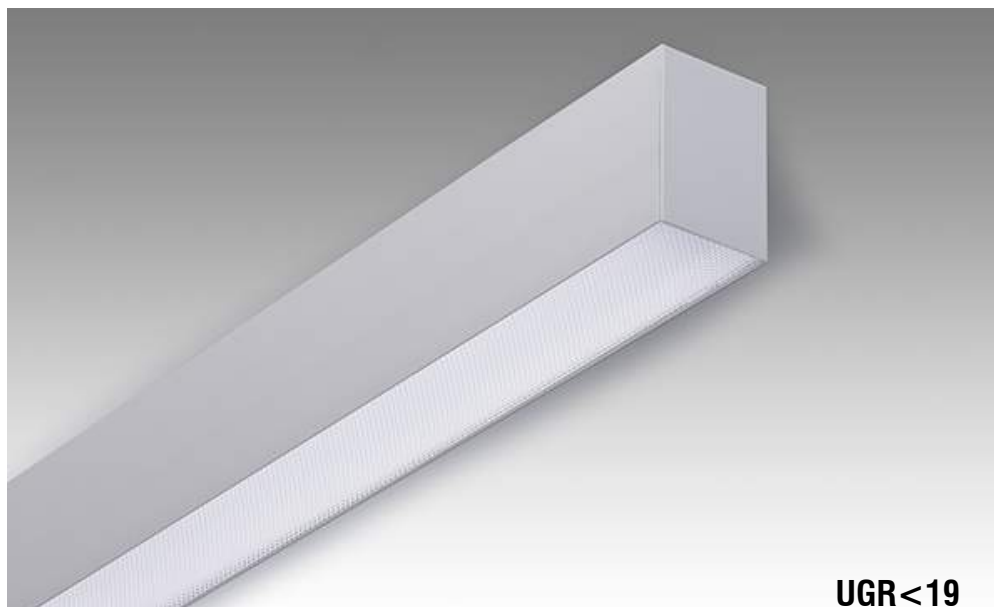
**KIT Emergência . Emergency KIT**

Cod.

KIT 1H - (3W LED 12W - 70W) - Módulo Emergência 1 hora . 1 hour Emergency	35.00.003.01.23
KIT 3H - (3W LED 12W - 70W) - Módulo Emergência 3 hora . 3 hour Emergency	35.00.003.01.24

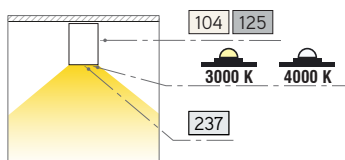
Características KIT . KIT features

- **220-240 Vac** . Tensão AC . AC tension
- Esta unidade de emergência não possui função de controlo remoto . This emergency module has no remote control function.
- O kit de emergência realiza o auto-diagnóstico automático a intervalos regulares . The Emergency Module automatically self-tests at regular intervals.

**UGR < 19****descrição** description ·

- Luminária em perfil de alumínio, para aplicação saliente, com tecnologia LED;
- A instalação individual ou em linha contínua, depende dos acessórios seleccionados;
- Acabamentos disponíveis: branco mate RAL 9003 e anodizado mate;
- Difusor policarbonato Prismático. Limitação do encandeamento directo de acordo com UGR < 19;
- Temperatura de cor LED: Warm White (3000 K) ou Neutral White (4000 K);
- Os componentes e acessórios necessários devem ser encomendados à parte.

- Aluminium profile LED surface mounted luminaire;
- Individual or continuous row application depends on the accessories selected;
- Finishing colours: Matt white (RAL 9003) and matt anodised;
- Prismatic polycarbonate diffuser. Direct glare limitation in accordance with UGR < 19
- LED colour temperature: Warm White (3000 K) or Neutral White (4000 K);
- Required components and accessories must be ordered separately.

**pormenores** details ·

- LED de elevada eficiência energética com índice de restituição cromática > 80 . High efficacy LED with > 80 colour rendering index
- Disponível em versões LED dimáveis com fonte de alimentação DALI . Dimmable LED versions with DALI power supply
- Adequado para aplicação individual ou em linha contínua . Suitable for individual mounting or in continuous lines
- Difusor de clipagem em Policarbonato prismático . Quick snap push mount Prismatic polycarbonate diffuser
- Limitação do encandeamento directo de acordo com UGR < 19 nas potências inferiores a 12W/m . Direct glare limitation in accordance with UGR < 19 on power outputs below 12W/m

acabamento finishing ·

104 Branco mate RAL 9003 . Matt white RAL 9003

125 Alumínio anodizado natural mate . Natural matt anodised aluminium

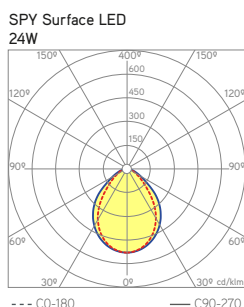
difusor diffuser ·

237 Policarbonato prismático .

Prismatic polycarbonate diffuser



símbolos symbols .  |  |  230V/50Hz |  850°C |     

diagr. polar diagr. polar .



características do LED

LED features .

-  **3000 K** - Branco Quente . *Warm White* - **147 lm/W tp=65°C** - Eficiência do LED . *LED efficiency*
-  **4000 K** - Branco Neutro . *Neutral White* - **154 lm/W tp=65°C** - Eficiência do LED . *LED efficiency*
- **CRI > 80** - LED de elevada eficiência energética com índice de restituição cromática . *High efficacy LED colour rendering index*
- **MacAdams 3** - Estreita tolerância na variação de cor do LED . *Close tolerance on the LED colour variation*
- **60 000 horas** - Tempo vida útil . *Long lifetime*
- **L70** - Manutenção do fluxo luminoso do LED . *LED luminous flux maintenance*
- **F10** - Degradação ou mortalidade do LED . *LED degradation or mortality*
- **120°** - Ângulo de distribuição de luz do LED . *LED light distribution angle*

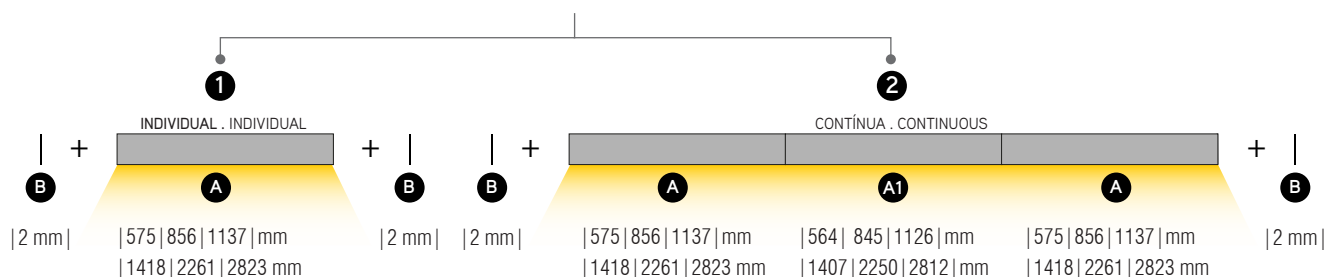
opções options .

- ON/OFF** - Fonte de alimentação incluída . *Integrated power supply control gear*
- DALI** - Fonte de alimentação compatível com DALI incluída . *Integrated DALI dimmable control gear*

Ex: Encomenda order .

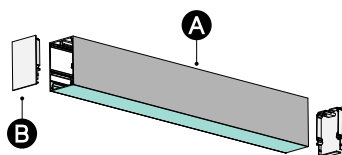
- 1 - Luminária individual: Use os códigos de encomenda de perfil e componentes indicados . *Single luminaire: Use the specified profile and components order codes.*
 - 2 - Linhas contínuas: Calcule o comprimento da linha de acordo com as dimensões indicadas. Selecione os componentes necessários (A, B, C, ...) . *Continuous lines: Refer to the indicated sizes to determine line length. Select the required components (A, B, C, ...)*
- A1** - Os Códigos das luminárias contínuas devem ser sempre solicitados ao fabricante . *Continuous row luminaire codes must always be requested to the manufacturer.*

SPY SURFACE 55 LED



1 LUMINÁRIA INDIVIDUAL:
SINGLE LUMINAIRE

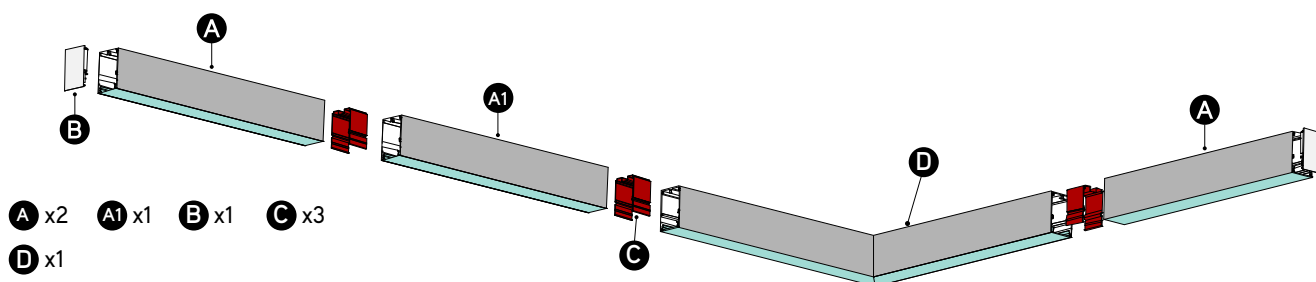
A x1 **B** x1



NOTA . NOTE

B = 2 units

2 LINHA CONTÍNUA . CONTINUOUS ROW



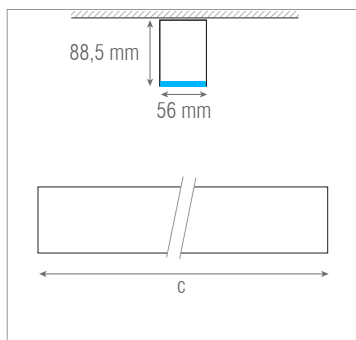
A1 MEIO DE LINHA . MIDDLE LINE

D Canto . ANGLE

NOTA . NOTE

B = 2 units

Warm White (3000 K)



A Perfil / profile - 104 Branco mate RAL 9003 . *Matt white RAL 9003*

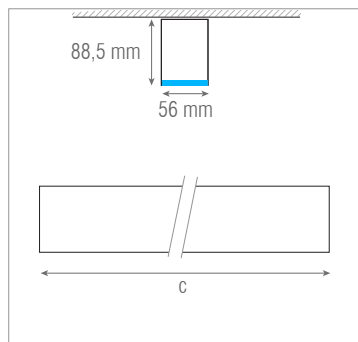
W		(mm) C	kg	(dm ³)	KIT 1h	KIT 3h	ON/OFF	DALI
7W					-	-	33.42.030.08.01	33.42.030.08.25
12W	LED	575	1,60	3,33	-	-	33.42.029.08.95	33.42.030.08.19
24W					-	-	33.42.042.08.59	33.42.042.08.71
10W					-	-	33.42.030.08.02	33.42.030.08.26
18W	LED	856	2,39	5,73	-	-	33.42.029.08.96	33.42.030.08.20
35W					-	-	33.42.042.08.60	33.42.042.08.72
14W					•	-	33.42.030.08.03	33.42.030.08.27
24W	LED	1137	3,28	7,61	•	-	33.42.029.08.97	33.42.030.08.21
47W					•	-	33.42.042.08.61	33.42.042.08.73
17W					•	•	33.42.030.08.04	33.42.030.08.28
30W	LED	1418	3,78	9,49	•	•	33.42.029.08.98	33.42.030.08.22
59W					•	•	33.42.042.08.62	33.42.042.08.74
27W					•	•	33.42.030.08.05	33.42.030.08.29
48W	LED	2261	6,39	14,8	•	•	33.42.029.08.99	33.42.030.08.23
94W					•	•	33.42.042.08.63	33.42.042.08.75
34W					•	•	33.42.030.08.06	33.42.030.08.30
60W	LED	2823	7,44	18,5	•	•	33.42.030.08.00	33.42.030.08.24
118W					•	•	33.42.042.08.64	33.42.042.08.76



A Perfil / profile - 125 Alumínio anodizado natural mate . *Natural matt anodised aluminium*

W		(mm) C	kg	(dm ³)	KIT 1h	KIT 3h	ON/OFF	DALI
7W					-	-	33.42.029.08.89	33.42.030.08.13
12W	LED	575	1,60	3,33	-	-	33.42.029.08.83	33.42.030.08.07
24W					-	-	33.42.042.08.53	33.42.042.08.65
10W					-	-	33.42.029.08.90	33.42.030.08.14
18W	LED	856	2,39	5,73	-	-	33.42.029.08.84	33.42.030.08.08
35W					-	-	33.42.042.08.54	33.42.042.08.66
14W					•	-	33.42.029.08.91	33.42.030.08.15
24W	LED	1137	3,28	7,61	•	-	33.42.029.08.85	33.42.030.08.09
47W					•	-	33.42.042.08.55	33.42.042.08.67
17W					•	•	33.42.029.08.92	33.42.030.08.16
30W	LED	1418	3,78	9,49	•	•	33.42.029.08.86	33.42.030.08.10
59W					•	•	33.42.042.08.56	33.42.042.08.68
27W					•	•	33.42.029.08.93	33.42.030.08.17
48W	LED	2261	6,39	14,8	•	•	33.42.029.08.87	33.42.030.08.11
94W					•	•	33.42.042.08.57	33.42.042.08.69
34W					•	•	33.42.029.08.94	33.42.030.08.18
60W	LED	2823	7,44	18,5	•	•	33.42.029.08.88	33.42.030.08.12
118W					•	•	33.42.042.08.58	33.42.042.08.70

Neutral White (4000 K)



A Perfil / profile - 104 Branco mate RAL 9003 . *Matt white RAL 9003*

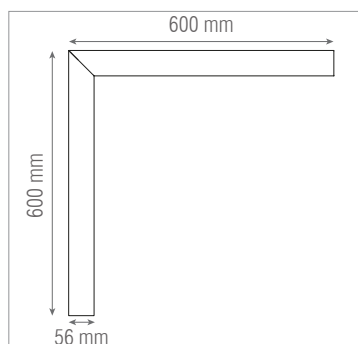
W		(mm) C	kg	(dm ³)	KIT 1h	KIT 3h	ON/OFF	DALI
7W					-	-	33.42.030.08.49	33.42.030.08.73
12W	LED	575	1,60	3,33	-	-	33.42.030.08.43	33.42.030.08.67
24W					-	-	33.42.042.08.83	33.42.042.08.95
10W					-	-	33.42.030.08.50	33.42.030.08.74
18W	LED	856	2,39	5,73	-	-	33.42.030.08.44	33.42.030.08.68
35W					-	-	33.42.042.08.84	33.42.042.08.96
14W					•	-	33.42.030.08.51	33.42.030.08.75
24W	LED	1137	3,28	7,61	•	-	33.42.030.08.45	33.42.030.08.69
47W					•	-	33.42.042.08.85	33.42.042.08.97
17W					•	•	33.42.030.08.52	33.42.030.08.76
30W	LED	1418	3,78	9,49	•	•	33.42.030.08.46	33.42.030.08.70
59W					•	•	33.42.042.08.86	33.42.042.08.98
27W					•	•	33.42.030.08.53	33.42.030.08.77
48W	LED	2261	6,39	14,8	•	•	33.42.030.08.47	33.42.030.08.71
94W					•	•	33.42.042.08.87	33.42.042.08.99
34W					•	•	33.42.030.08.54	33.42.030.08.78
60W	LED	2823	7,44	18,5	•	•	33.42.030.08.48	33.42.030.08.72
118W					•	•	33.42.042.08.88	33.42.043.08.00



A Perfil / profile - 125 Alumínio anodizado natural mate . *Natural matt anodised aluminium*

W		(mm) C	kg	(dm ³)	KIT 1h	KIT 3h	ON/OFF	DALI
7W					-	-	33.42.030.08.37	33.42.030.08.61
12W	LED	575	1,60	3,33	-	-	33.42.030.08.31	33.42.030.08.55
24W					-	-	33.42.042.08.77	33.42.042.08.89
10W					-	-	33.42.030.08.38	33.42.030.08.62
18W	LED	856	2,39	5,73	-	-	33.42.030.08.32	33.42.030.08.56
35W					-	-	33.42.042.08.78	33.42.042.08.90
14W					•	-	33.42.030.08.39	33.42.030.08.63
24W	LED	1137	3,28	7,61	•	-	33.42.030.08.33	33.42.030.08.57
47W					•	-	33.42.042.08.79	33.42.042.08.91
17W					•	•	33.42.030.08.40	33.42.030.08.64
30W	LED	1418	3,78	9,49	•	•	33.42.030.08.34	33.42.030.08.58
59W					•	•	33.42.042.08.80	33.42.042.08.92
27W					•	•	33.42.030.08.41	33.42.030.08.65
48W	LED	2261	6,39	14,8	•	•	33.42.030.08.35	33.42.030.08.59
94W					•	•	33.42.042.08.81	33.42.042.08.93
34W					•	•	33.42.030.08.42	33.42.030.08.66
60W	LED	2823	7,44	18,5	•	•	33.42.030.08.36	33.42.030.08.60
118W					•	•	33.42.042.08.82	33.42.042.08.94

Warm White (3000 K)



D Canto / corner - 104 Branco mate RAL 9003 . *Matt white RAL 9003*

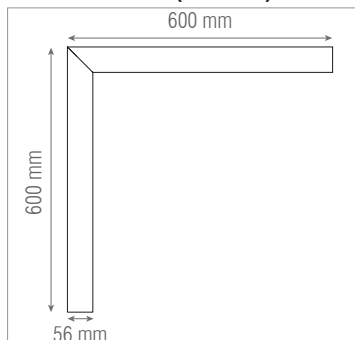
W		kg	(dm ³)	ON/OFF	DALI
14W				33.42.030.08.82	33.42.030.08.86
24W	LED	4,30	43,0	33.42.030.08.81	33.42.030.08.85
47W				33.42.043.08.02	33.42.043.08.04






D Canto / corner - 125 Alumínio anodizado natural mate . *Natural matt anodised aluminium*

W		kg	(dm ³)	ON/OFF	DALI
14W				33.42.030.08.80	33.42.030.08.84
24W	LED	4,30	43,0	33.42.030.08.79	33.42.030.08.83
47W				33.42.043.08.01	33.42.043.08.03



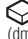
Neutral White (4000 K)


D Canto / corner - 104 Branco mate RAL 9003 . *Matt white RAL 9003*

W				ON/OFF	DALI
14W				33.42.030.08.90	33.42.030.08.94
24W	LED	4,30	43,0	33.42.030.08.89	33.42.030.08.93
47W				33.42.043.08.06	33.42.043.08.08


4000 K

D Canto / corner - 125 Alumínio anodizado natural mate . *Natural matt anodised aluminium*

W				ON/OFF	DALI
14W				33.42.030.08.88	33.42.030.08.92
24W	LED	4,30	43,0	33.42.030.08.87	33.42.030.08.91
47W				33.42.043.08.05	33.42.043.08.07

B Topo / end cap set

Cod.

2xEndCap/TopoSPY55Trim./Surf.IP54/Susp.IP54/Double/Wall White	35.42.002.08.67
2xEndCap/TopoSPY55Trim./Surf.IP54/Susp.IP54/Double/Wall Grey	35.42.002.08.66

C Guia (união) / guide (coupler)

Cod.













Guide/Guia SPY 55 Recessed/Trimless/Surface/Susp. (Double)	35.42.002.08.60
--	-----------------

acessório ACCESSORY
Disponível como acessórios. Encomendar à parte . *Available as accessories. To be ordered separately.*
KIT Emergência . Emergency KIT

Cod.

KIT 1H - (3W LED 12W - 70W) - Módulo Emergência 1 hora . <i>1 hour Emergency</i>	35.00.003.01.23
KIT 3H - (3W LED 12W - 70W) - Módulo Emergência 3 hora . <i>3 hour Emergency</i>	35.00.003.01.24

Características KIT . KIT features
- **220-240 Vac** . Tensão AC . *AC tension*- Esta unidade de emergência não possui função de controlo remoto . *This emergency module has no remote control function.*- O kit de emergência realiza o auto-diagnóstico automático a intervalos regulares . *The Emergency Module automatically self-tests at regular intervals.*

	Saliente tecto <i>Ceiling surface</i>		Aplique parede <i>Wall surface</i>		Saliente chão <i>Floor surface</i>		De canto <i>Corner mounted</i>
	Encastrado tecto <i>Ceiling recessed</i>		Encastrado parede <i>Wall recessed</i>		Encastrado chão <i>Floor recessed</i>		De pé <i>Floor standing</i>
	Trimless tecto <i>Ceiling trimless</i>		Trimless parede <i>Wall trimless</i>		Suspenso tecto <i>Ceiling suspended</i>		De mesa <i>Table standing</i>



Lâmpada não incluída. *Lamp not included.*



Lâmpada incluída. *Lamp included.*



Marca de conformidade com as Normas Europeias do Comité Europeu de Normalização Electrotécnica (CENELEC), aplicável a todo o material eléctrico certificado pela CERTIF no âmbito do acordo CCA do CENELEC. *Reference symbol of compliance with the European Norms of the European Electrotechnical Standardization Committee (CENELEC) applied to every electrical material certified by CERTIF in accordance with the CCA of the CENELEC.*



ENEC - Marca comum europeia concedida no âmbito do Acordo ENEC, aplicável a todo o tipo de luminárias em conformidade com as normas da série EN 60 598. Marca reconhecida em todos os países subscritores do referido acordo. 04 - Numeração atribuída a Portugal. *ENEC - European common reference symbol granted in accordance with the ENEC Agreement, applicable to every type of luminaire within the Standards of the EN 60 598 series. Reference symbol recognized in all the countries that subscribed the referred agreement. 04 -Number assigned to Portugal.*



Produto projectado e fabricado em conformidade com a directiva comunitária 2004 / 108 / CE relativa à Compatibilidade Electromagnética e com a directiva comunitária 2006 / 95 / CE para equipamentos de Baixa Tensão. *Product designed and manufactured in accordance with the Council Directive 2004 / 108 / CE concerning the Electromagnetic Compatibility and the Council Directive 2006 / 95 / CE for Low-Tension equipment.*



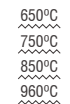
Esta luminária não pode ser coberta com material isolante ou análogo. *Luminaire not suitable for covering with thermally insulating material.*



Fonte luminosa LED. *LED light source.*



Classe I - Isolamento principal e protecção por ligação à terra prevista nas partes metálicas acessíveis. *Class I - All the exposed metal parts are connected to one another and to the protective earth conductor.*



O ensaio é efectuado utilizando um fio de Ni-Cr incandescente aquecido a 650°C, 750°C, 850°C ou 960°C. *The test is made using nickel-chromium flow-wire heated to 650°C, 750°C, 850°C or 960°C.*



Classe II - Com isolamento principal e isolamento suplementar, mas sem meio de protecção por ligação à terra. *Class II - The luminaire is insulated in such a way that there are no exposed metal parts that can carry current. There is no protective earth conductor.*



Luminária protegida contra o arremesso de bolas, de acordo com especificado na norma DIN VDE 0710 part 13/05.81. *Luminaire safe to ball throwing in accordance with DIN VDE 0710 part 13/05.81 standard.*



Classe III - Previsto para alimentação em muita baixa tensão de segurança ($\leq 50V$). *Class III - Appliance designed to be supplied from a safety extra-low voltage power source.*



Dimensão do corte no tecto para encastrar luminária (tolerância em mm). *Cut-out dimension for recessed luminaires (tolerance in mm).*



Casquilho / Suporte de lâmpada. *Lamp holder.*



Adaptável aos módulos standard dos tectos falsos. *Adaptable to the standard modules of the false ceilings.*



Peso unitário aproximado sem embalagem (em Kg). *Unit approximate weight without package (specified in Kg).*



O prefixo IP seguido de dois algarismos, indica a "resistência" oferecida pelo aparelho à penetração de corpos sólidos e líquidos, sendo que o primeiro algarismo identifica a protecção à entrada de elementos sólidos e o segundo aos líquidos. *The IP prefix followed by two figures indicates the "resistance" offered by the device to solid bodies and liquids penetration, the first figure being representative of the protection to solid bodies penetration and the second to liquids.*



Volume unitário com embalagem (em dm³). *Unit approximate volume with package. Specified in dm³.*



Dimensões em mm. *Dimensions in mm.*



Índice Resistência Mecânica - Grau de resistência dos invólucros das luminárias a impactos mecânicos externos, definidos pela norma EN 62262. *Mechanical Resistance Classes - Resistance degree of the luminaires envelope against external mechanical impacts, defined by EN 62262 standards.*



Distância mínima dos objectos iluminados (em metros). *Minimum distance between the lit object and the luminaire (in metres).*